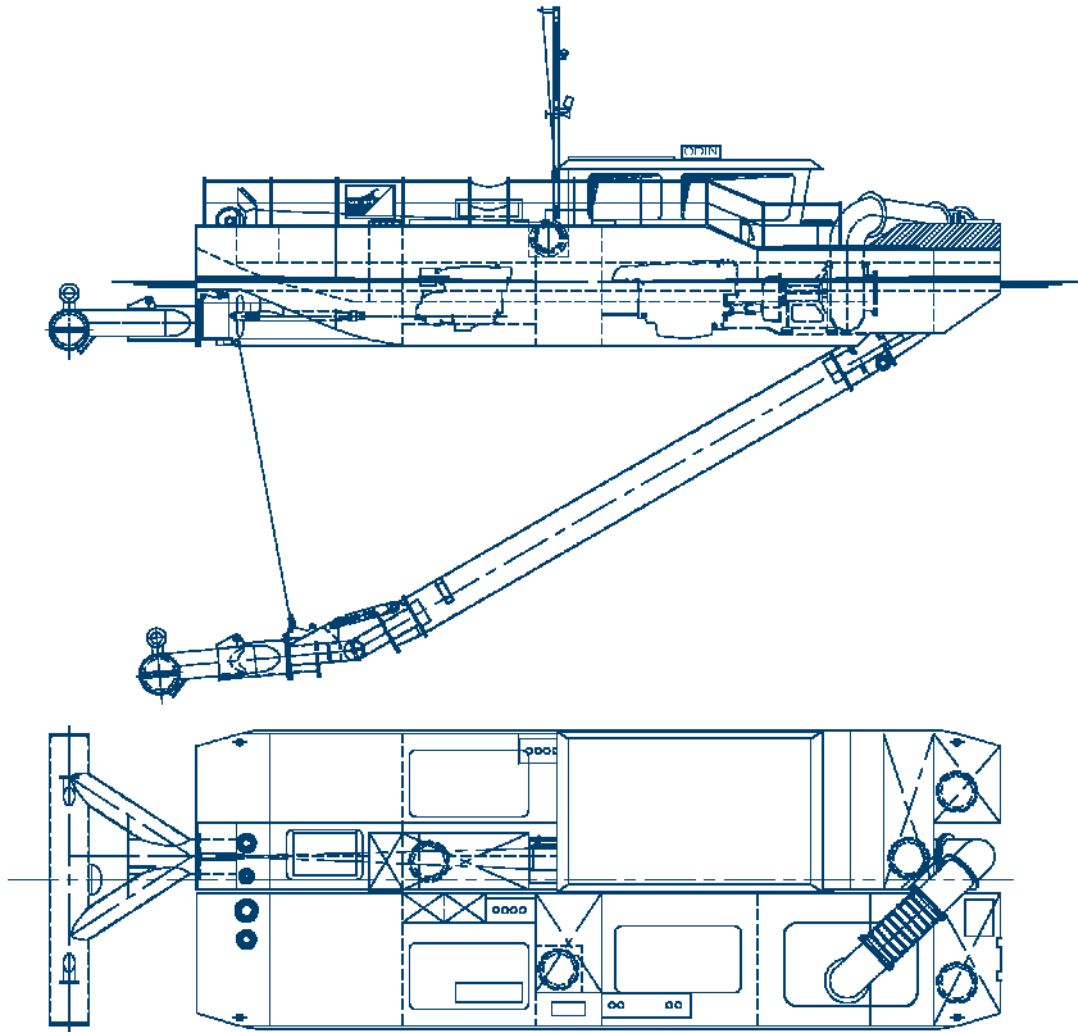




Water injection dredger  
Odin

equipment



**Odin**

Name	Odin	
Type	Water injection dredger	
Sailing and dredging area	Inland waters only	
Year of construction	2007	
Dimensions	Length overall	17.50 m
	Breadth	4.50 m
	Moulded depth	1.80 m
	Draught maximum	1.45 m
Maximum dredging depth	10 m	
Width injection pipe	4.40 m	
Propulsion	2 x 89 kW	
Total power installed	410 kW	
Jet pump	220 kW	

**Van Oord**

PO Box 8574  
 3009 AN Rotterdam  
 The Netherlands  
**T** +31 10 4478444  
**F** +31 10 4478100  
**E** info@vanoord.com  
**I** www.vanoord.com